

SERVICE MANUAL

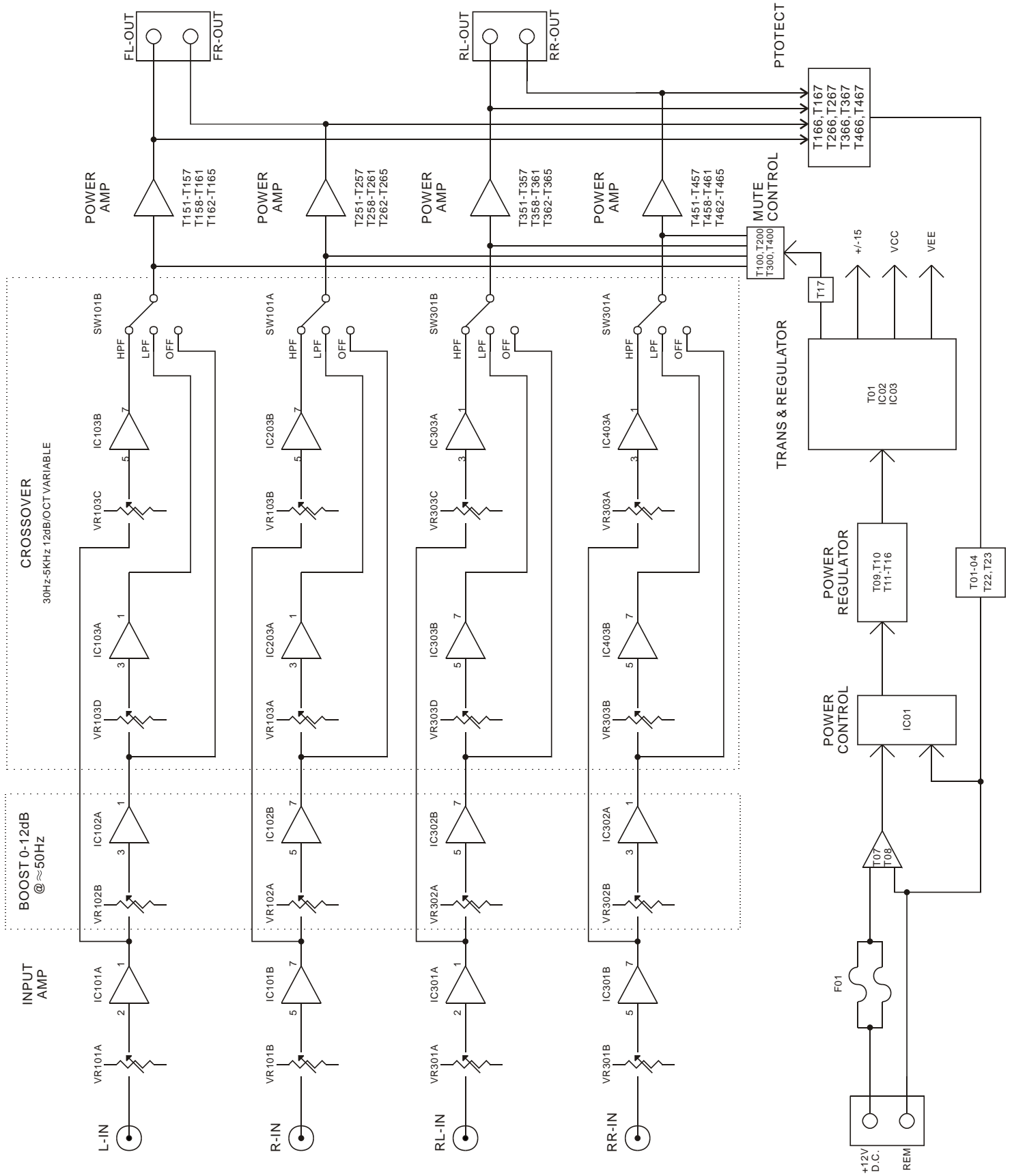
POWER AMPLIFIER

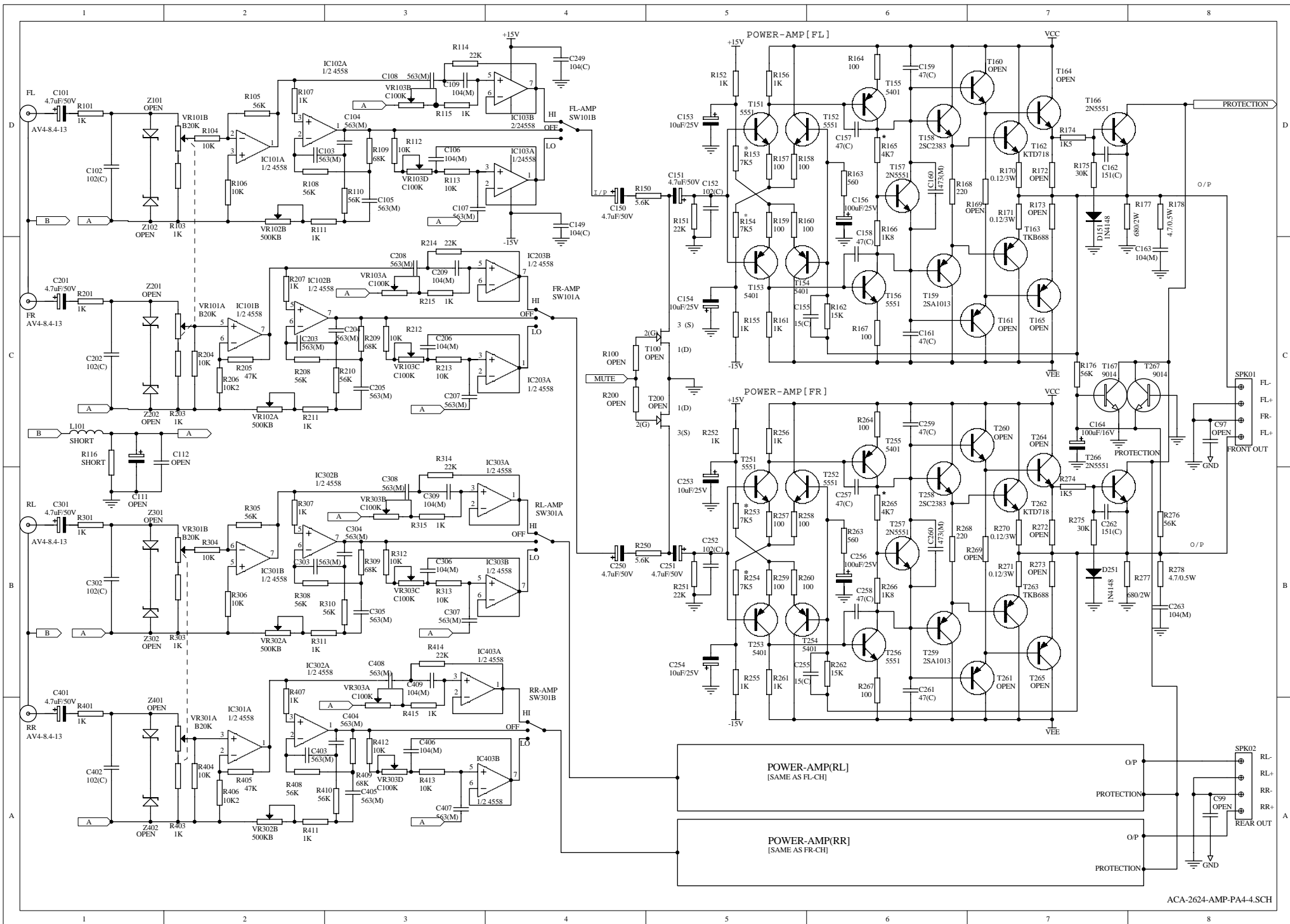
AKAI

ACA-2624

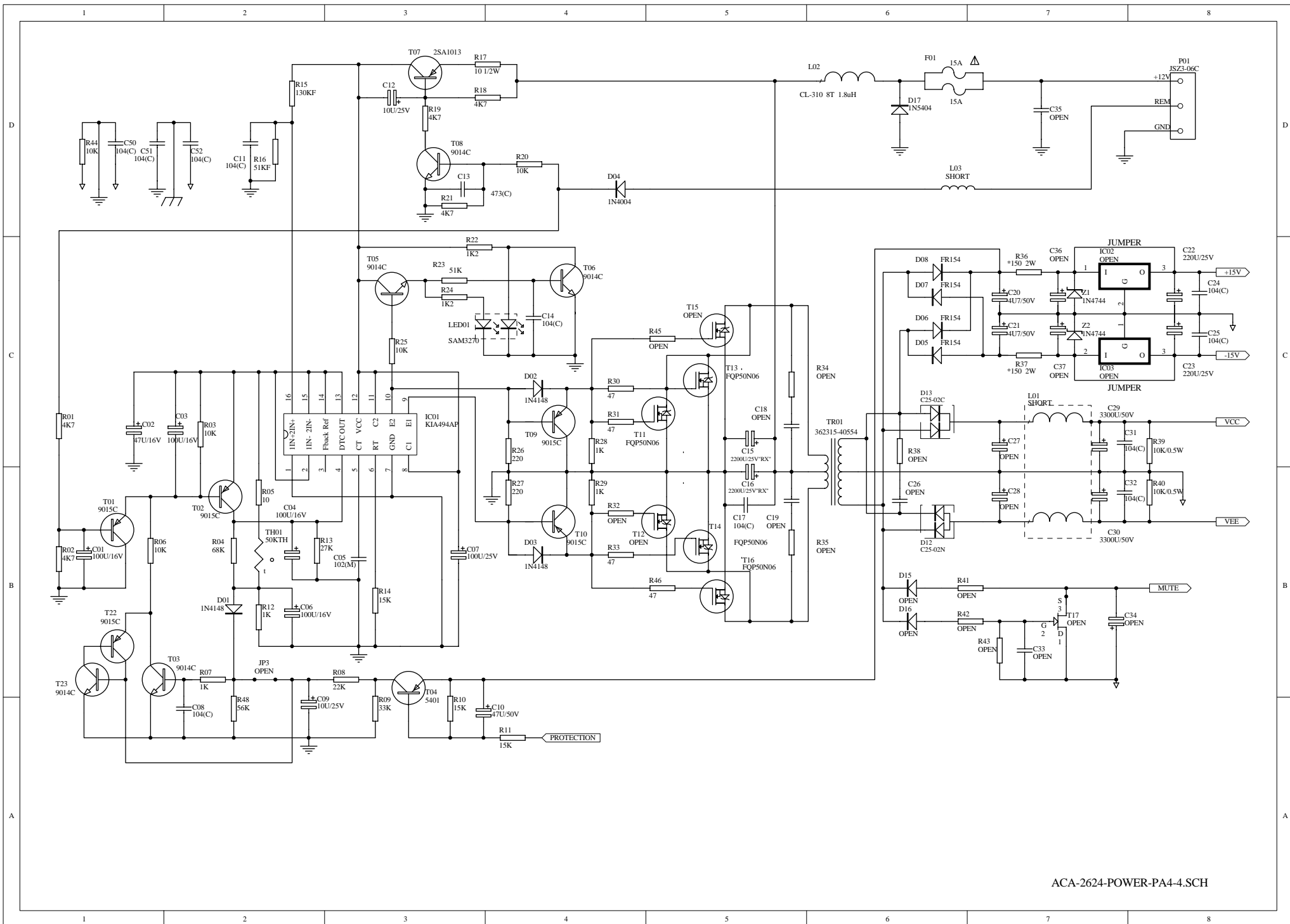
Circuitry Frame

ACA-2664
ACA-2624



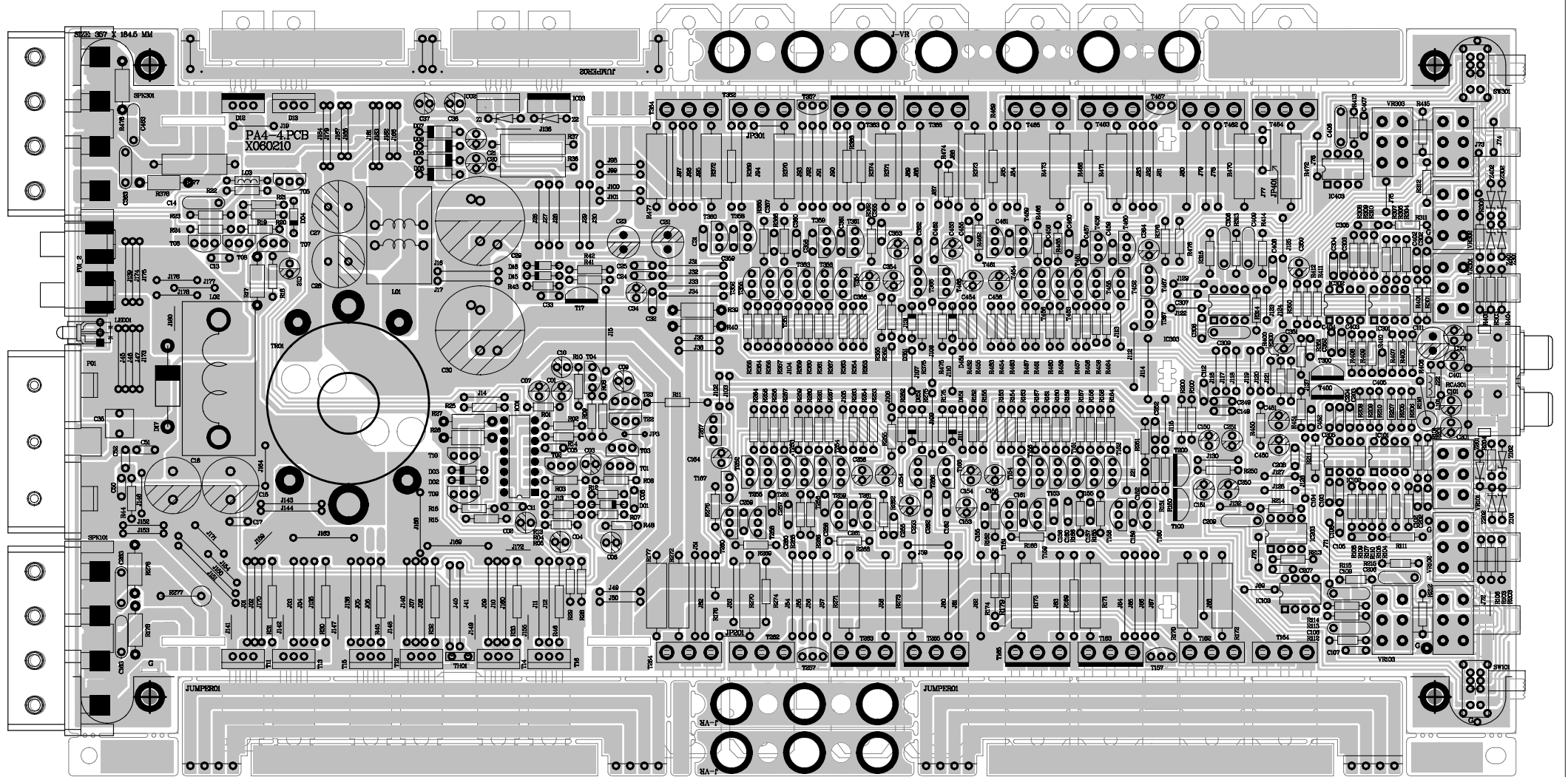


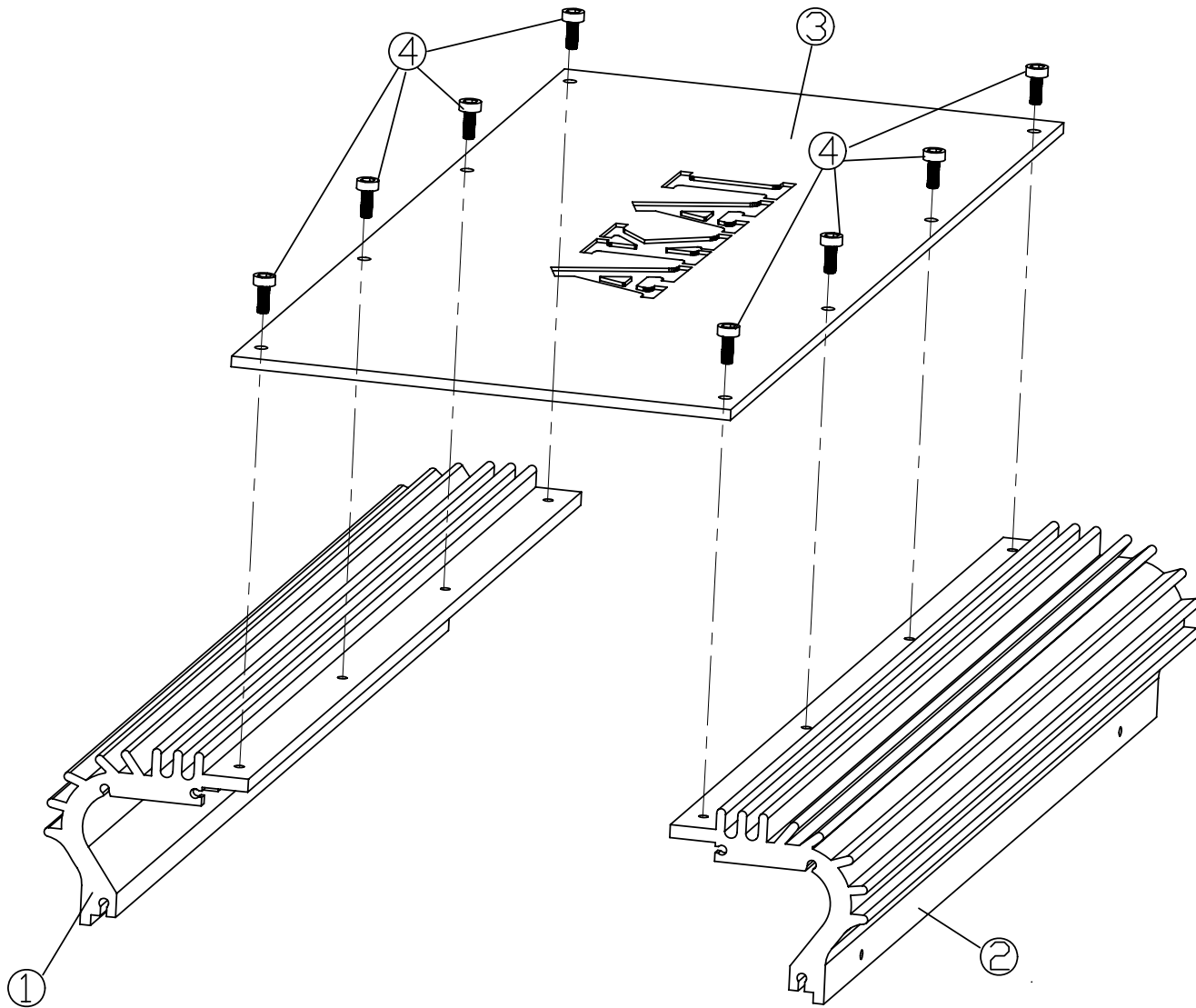
ACA-2624-AMP-PA4-4.SCH




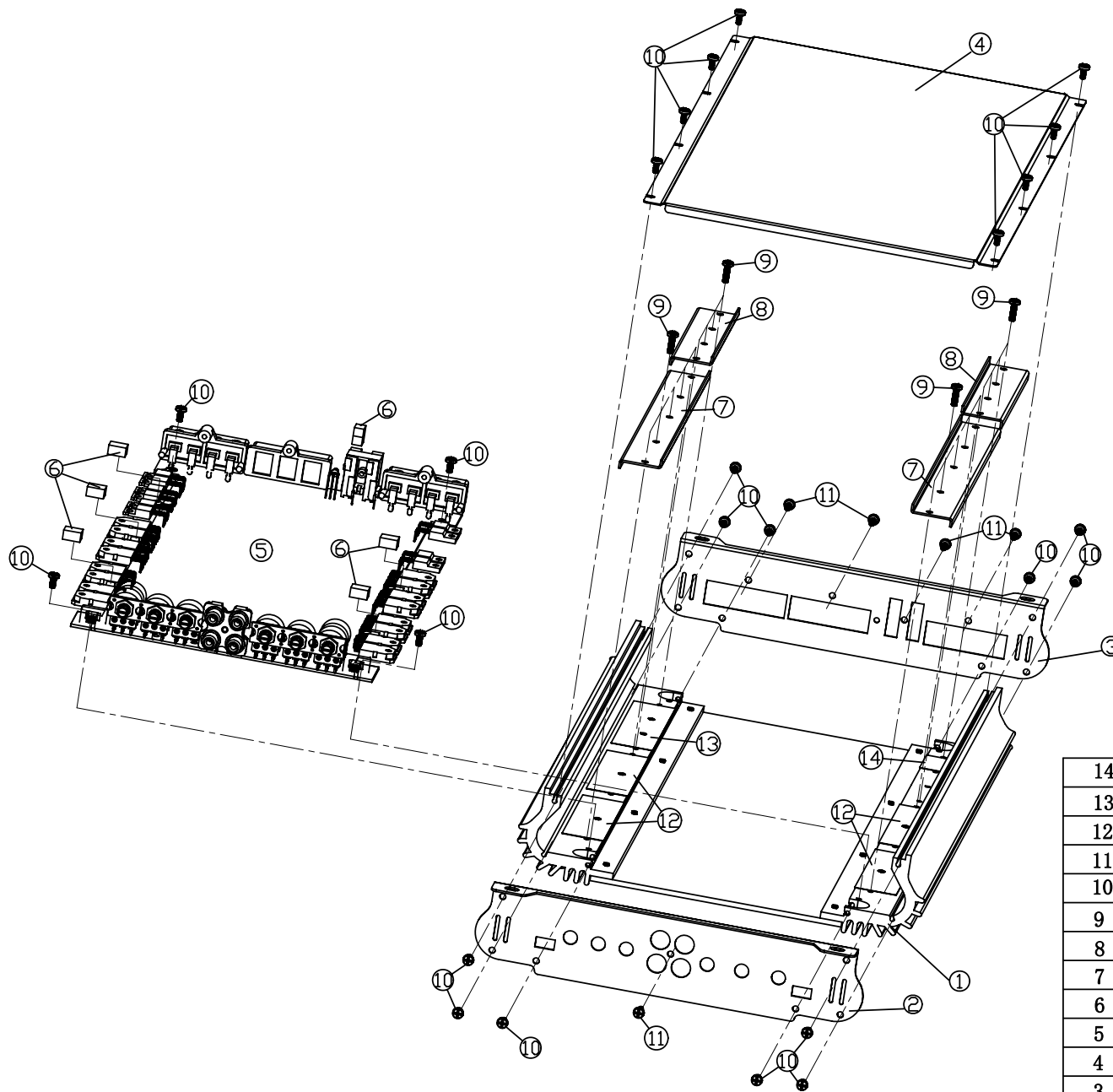
ACA-2624-POWER-PA4-4.SCH

PA4-4.PCB X060210

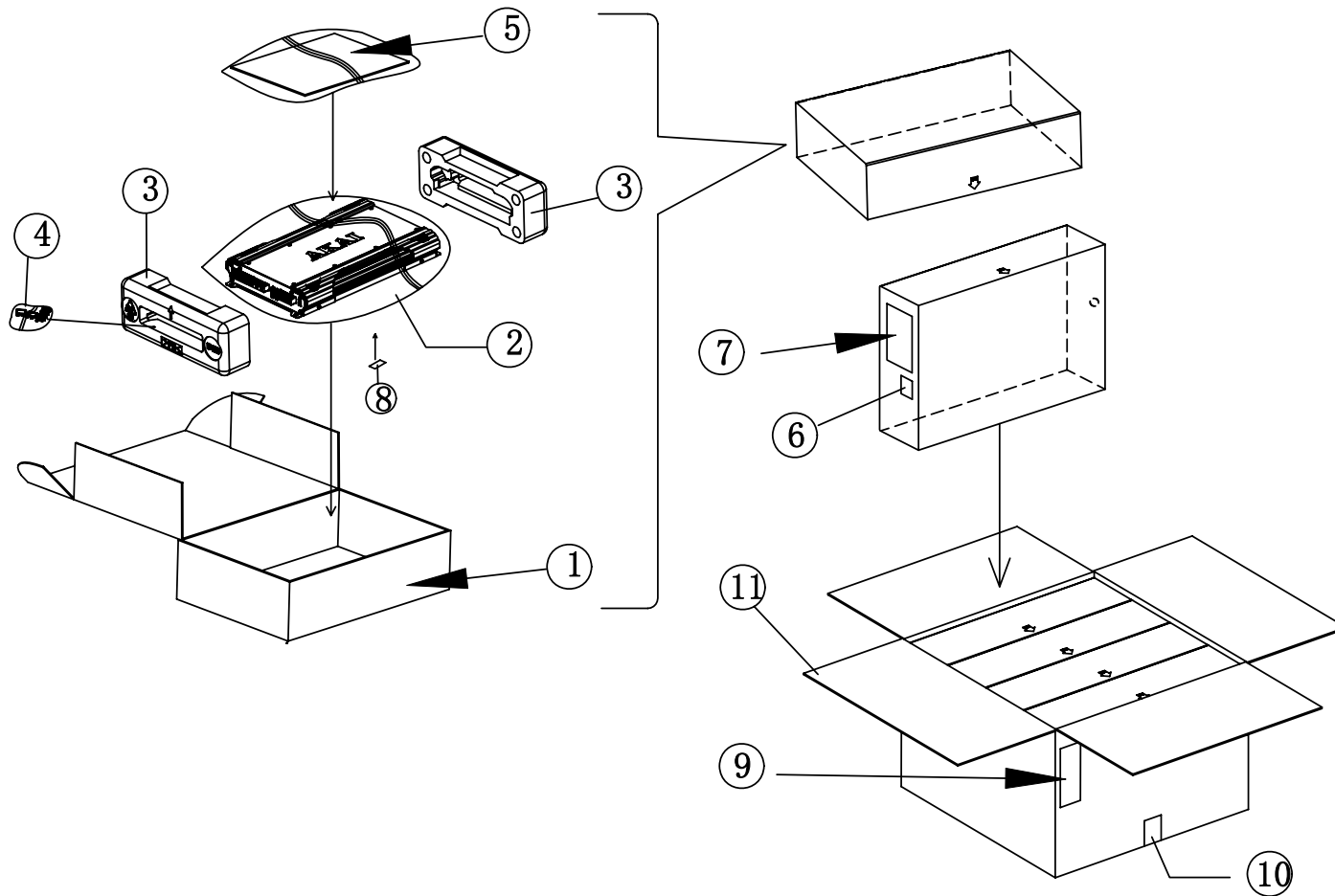




4	M 3X6(silvery white)		8	
3	top panel	ACA-2202-L02	1	145×359×3
2	heat sink B	ACA-2202-L01	1	57×52×359
1	heat sink A	ACA-2202-L01	1	57×52×359
NO.	Parts name	fig.	Q' ty	Remark
name	Exploded view of aluminium alloy of 4ch		fig.	ACA-2664-001



14	insulator 3	ACA-2664-J01	1	24X27
13	insulator 3 or 6	ACA-2664-J01	2/1	24X27/24X90.5
12	insulator 1 or 5	ACA-2664-J01	4/4	24X45/24X82
11	ST 3X8		5	
10	ST 3X6		24	
9	S 3X10		18	
8	metallic accessories 3	ACA-FJ01	2	24X105
7	metallic accessories 1	ACA-FJ01	2	24X182
6	sponge cushion		7	8X10X5
5	main board		1	
4	bottom cover	ACA-2664-W03	1	205X358
3	left panel	ACA-2664-W01	1	
2	right panel	ACA-2664-W02	1	
1	heat sinks	ACA-2664-L01	1	
NO.	Parts name	fig.	Q' ty	Remark
name	Exploded view of enclosure assembly of 4ch		fig.	ACA-2664-000



11	carton box		1	
10	adhesive tape		1	
9	carton box label		1	
8	bottom cover label		1	
7	gift box label		1	
6	ME68 label		1	
5	user manual		1	
4	accessories		1	
3	cushion	EP-PM-01	2	
2	amplifier		1	
1	gift box		1	
NO.	Parts name	fig.	Q' ty	Remark
name	Packing diagram of 4ch		fig.	ACA-2664-002

Electrical parts list (MAIN PCB)

Block No. 01

!	Item	Parts number	Parts name	Remarks
	C01	ELE 100U/16V	CAPACITOR	
	C02	ELE 47U/16V	CAPACITOR	
	C03	ELE 100U/16V	CAPACITOR	
	C04	ELE 100U/16V	CAPACITOR	
	C05	MAL 0.001U/100V	CAPACITOR	
	C06	ELE 100U/16V	CAPACITOR	
	C07	ELE 100U/25V	CAPACITOR	
	C08	CER 0.1U/50V	CAPACITOR	
	C09	ELE 10U/25V	CAPACITOR	
	C10	ELE 47U/50V	CAPACITOR	
	C101	ELE 4.7U/50V	CAPACITOR	
	C102	CER 1000P/100V	CAPACITOR	
	C103	MAL 0.056U/100V	CAPACITOR	
	C104	MAL 0.056U/100V	CAPACITOR	
	C105	MAL 0.056U/100V	CAPACITOR	
	C106	MAL 0.1U/100V	CAPACITOR	
	C107	MAL 0.056U/100V	CAPACITOR	
	C108	MAL 0.056U/100V	CAPACITOR	
	C109	MAL 0.1U/100V	CAPACITOR	
	C11	CER 0.1U/50V	CAPACITOR	
	C12	ELE 10U/25V	CAPACITOR	
	C13	CER 0.047U/50V	CAPACITOR	
	C14	CER 0.1U/50V	CAPACITOR	
	C149	CER 0.1U/50V	CAPACITOR	
	C15	ELE 2200U/25V "RX"	CAPACITOR	h<26mm
	C150	ELE 4.7U/50V	CAPACITOR	
	C151	ELE 4.7U/50V	CAPACITOR	
	C152	CER 1000P/100V	CAPACITOR	
	C153	ELE 10U/25V	CAPACITOR	
	C154	ELE 10U/25V	CAPACITOR	
	C155	CER 15P/500V	CAPACITOR	
	C156	ELE 100U/25V	CAPACITOR	
	C157	CER 47P/500V	CAPACITOR	
	C158	CER 47P/500V	CAPACITOR	
	C159	CER 47P/500V	CAPACITOR	
	C16	ELE 2200U/25V "RX"	CAPACITOR	h<26mm
	C160	MAL 0.047U/100V	CAPACITOR	
	C161	CER 47P/500V	CAPACITOR	
	C162	CER 150P/100V	CAPACITOR	
	C163	MAL 0.1U/100V	CAPACITOR	
	C164	ELE 100U/16V	CAPACITOR	
	C17	CER 0.1U/50V	CAPACITOR	
	C20	ELE 4.7U/50V	CAPACITOR	
	C201	ELE 4.7U/50V	CAPACITOR	
	C202	CER 1000P/100V	CAPACITOR	
	C203	MAL 0.056U/100V	CAPACITOR	
	C204	MAL 0.056U/100V	CAPACITOR	
	C205	MAL 0.056U/100V	CAPACITOR	
	C206	MAL 0.1U/100V	CAPACITOR	
	C207	MAL 0.056U/100V	CAPACITOR	
	C208	MAL 0.056U/100V	CAPACITOR	
	C209	MAL 0.1U/100V	CAPACITOR	
	C21	ELE 4.7U/50V	CAPACITOR	
	C22	ELE 220U/25V	CAPACITOR	
	C23	ELE 220U/25V	CAPACITOR	
	C24	CER 0.1U/50V	CAPACITOR	

!	Item	Parts number	Parts name	Remarks
	C249	CER 0.1U/50V	CAPACITOR	
	C25	CER 0.1U/50V	CAPACITOR	
	C250	ELE 4.7U/50V	CAPACITOR	
	C251	ELE 4.7U/50V	CAPACITOR	
	C252	CER 1000P/100V	CAPACITOR	
	C253	ELE 10U/25V	CAPACITOR	
	C254	ELE 10U/25V	CAPACITOR	
	C255	CER 15P/500V	CAPACITOR	
	C256	ELE 100U/25V	CAPACITOR	
	C257	CER 47P/500V	CAPACITOR	
	C258	CER 47P/500V	CAPACITOR	
	C259	CER 47P/500V	CAPACITOR	
	C260	MAL 0.047U/100V	CAPACITOR	
	C261	CER 47P/500V	CAPACITOR	
	C262	CER 150P/100V	CAPACITOR	
	C263	MAL 0.1U/100V	CAPACITOR	
	C29	ELE 3300U/50V	CAPACITOR	h<26mm
	C30	ELE 3300U/50V	CAPACITOR	h<26mm
	C301	ELE 4.7U/50V	CAPACITOR	
	C302	CER 1000P/100V	CAPACITOR	
	C303	MAL 0.056U/100V	CAPACITOR	
	C304	MAL 0.056U/100V	CAPACITOR	
	C305	MAL 0.056U/100V	CAPACITOR	
	C306	MAL 0.1U/100V	CAPACITOR	
	C307	MAL 0.056U/100V	CAPACITOR	
	C308	MAL 0.056U/100V	CAPACITOR	
	C309	MAL 0.1U/100V	CAPACITOR	
	C31	CER 0.1U/50V	CAPACITOR	
	C32	CER 0.1U/50V	CAPACITOR	
	C350	ELE 4.7U/50V	CAPACITOR	
	C351	ELE 4.7U/50V	CAPACITOR	
	C352	CER 1000P/100V	CAPACITOR	
	C353	ELE 10U/25V	CAPACITOR	
	C354	ELE 10U/25V	CAPACITOR	
	C355	CER 15P/500V	CAPACITOR	
	C356	ELE 100U/25V	CAPACITOR	
	C357	CER 47P/500V	CAPACITOR	
	C358	CER 47P/500V	CAPACITOR	
	C359	CER 47P/500V	CAPACITOR	
	C360	MAL 0.047U/100V	CAPACITOR	
	C361	CER 47P/500V	CAPACITOR	
	C362	CER 150P/100V	CAPACITOR	
	C363	MAL 0.1U/100V	CAPACITOR	
	C364	ELE 100U/16V	CAPACITOR	
	C401	ELE 4.7U/50V	CAPACITOR	
	C402	CER 1000P/100V	CAPACITOR	
	C403	MAL 0.056U/100V	CAPACITOR	
	C404	MAL 0.056U/100V	CAPACITOR	
	C405	MAL 0.056U/100V	CAPACITOR	
	C406	MAL 0.1U/100V	CAPACITOR	
	C407	MAL 0.056U/100V	CAPACITOR	
	C408	MAL 0.056U/100V	CAPACITOR	
	C409	MAL 0.1U/100V	CAPACITOR	
	C450	ELE 4.7U/50V	CAPACITOR	
	C451	ELE 4.7U/50V	CAPACITOR	
	C452	CER 1000P/100V	CAPACITOR	

Electrical parts list (MAIN PCB)

!	Item	Parts number	Parts name	Remarks
	C453	ELE 10U/25V	CAPACITOR	
	C454	ELE 10U/25V	CAPACITOR	
	C455	CER 15P/500V	CAPACITOR	
	C456	ELE 100U/25V	CAPACITOR	
	C457	CER 47P/500V	CAPACITOR	
	C458	CER 47P/500V	CAPACITOR	
	C459	CER 47P/500V	CAPACITOR	
	C460	MAL 0.047U/100V	CAPACITOR	
	C461	CER 47P/500V	CAPACITOR	
	C462	CER 150P/100V	CAPACITOR	
	C463	MAL 0.1U/100V	CAPACITOR	
	C50	CER 0.1U/50V	CAPACITOR	
	C51	CER 0.1U/50V	CAPACITOR	
	C52	CER 0.1U/50V	CAPACITOR	
	D01	1N4148	GE DIODE	
	D02	1N4148	GE DIODE	
	D03	1N4148	GE DIODE	
	D04	1N4004	DIODE	
	D05	FR154	DIODE	
	D06	FR154	DIODE	
	D07	FR154	DIODE	
	D08	FR154	DIODE	
	D12	02N	DIODE	FAST RECOVERY
	D13	02C	DIODE	FAST RECOVERY
	D151	1N4148	GE DIODE	
	D17	1N5404	DIODE	400V/3A
	D251	1N4148	GE DIODE	
	D351	1N4148	GE DIODE	
	D451	1N4148	GE DIODE	
	F01	BXS-03A	FUSE HOLDER	GOLD PLATED
	FUSE01	ZH270-15A	AUTO FUSE	
	IC01	KIA494AP	I.C	
	IC101	JRC4558	I.C	
	IC102	JRC4558	I.C	
	IC103	JRC4558	I.C	
	IC203	JRC4558	I.C	
	IC301	JRC4558	I.C	
	IC302	JRC4558	I.C	
	IC303	JRC4558	I.C	
	IC403	JRC4558	I.C	
	L02	CL-310,1.8uH	INDUCTOR	8T
	LED01	SAM3270 φ 3	LED	
	P01	JSZ3-06C	POWER INPUT JACK	GOLD PLATED
	R01	CAR 4.7KΩ/4W	RESISTOR	
	R02	CAR 4.7KΩ/4W	RESISTOR	
	R03	CAR 10KΩ/4W	RESISTOR	
	R04	CAR 68KΩ/4W	RESISTOR	
	R05	CAR 10Ω/4W	RESISTOR	
	R06	CAR 10KΩ/4W	RESISTOR	
	R07	CAR 1KΩ/4W	RESISTOR	
	R08	CAR 22KΩ/4W	RESISTOR	
	R09	CAR 33KΩ/4W	RESISTOR	
	R10	CAR 15KΩ/4W	RESISTOR	
	R101	CAR 1KΩ/4W	RESISTOR	
	R103	CAR 1KΩ/4W	RESISTOR	
	R104	CAR 10KΩ/4W	RESISTOR	

!	Item	Parts number	Parts name	Remarks
	R105	CAR 56KΩ/4W	RESISTOR	
	R106	CAR 10KΩ/4W	RESISTOR	
	R107	CAR 1KΩ/4W	RESISTOR	
	R108	CAR 56KΩ/4W	RESISTOR	
	R109	CAR 68KΩ/4W	RESISTOR	
	R11	CAR 15KΩ/4W	RESISTOR	
	R110	CAR 56KΩ/4W	RESISTOR	
	R111	CAR 1KΩ/4W	RESISTOR	
	R112	CAR 10KΩ/4W	RESISTOR	
	R113	CAR 10KΩ/4W	RESISTOR	
	R114	CAR 22KΩ/4W	RESISTOR	
	R115	CAR 1KΩ/4W	RESISTOR	
	R12	CAR 1KΩ/4W	RESISTOR	
	R13	CAR 27KΩ/4W	RESISTOR	
	R14	CAR 15KΩ/4W	RESISTOR	
	R15	CAR 130KF1/4W±1%	RESISTOR	
	R150	CAR 5.6KΩ/4W	RESISTOR	
	R151	CAR 22KΩ/4W	RESISTOR	
	R152	CAR 1KΩ/4W	RESISTOR	
	R153	CAR 7.5KΩ/4W	RESISTOR	
	R154	CAR 7.5KΩ/4W	RESISTOR	
	R155	CAR 1KΩ/4W	RESISTOR	
	R156	CAR 1KΩ/4W	RESISTOR	
	R157	CAR 100Ω/4W	RESISTOR	
	R158	CAR 100Ω/4W	RESISTOR	
	R159	CAR 100Ω/4W	RESISTOR	
	R16	CAR 51KΩ/4W±1%	RESISTOR	
	R160	CAR 100Ω/4W	RESISTOR	
	R161	CAR 1KΩ/4W	RESISTOR	
	R162	CAR 15KΩ/4W	RESISTOR	
	R163	CAR 560Ω/4W	RESISTOR	
	R164	CAR 100Ω/4W	RESISTOR	
	R165	CAR 4.7KΩ/4W	RESISTOR	
	R166	CAR 1.8KΩ/4W	RESISTOR	
	R167	CAR 100Ω/4W	RESISTOR	
	R168	CAR 220Ω/4W	RESISTOR	
	R17	CAR 10Ω/2W	RESISTOR	
	R170	CAR 0.12Ω3W	RESISTOR	
	R171	CAR 0.12Ω3W	RESISTOR	
	R174	CAR 1.5KΩ/4W	RESISTOR	
	R175	CAR 30KΩ/4W	RESISTOR	
	R176	CAR 56KΩ/4W	RESISTOR	
	R177	CAR 680Ω2W	RESISTOR	
	R178	CAR 4.7Ω/2W	RESISTOR	
	R18	CAR 4.7KΩ/4W	RESISTOR	
	R19	CAR 4.7KΩ/4W	RESISTOR	
	R20	CAR 10KΩ/4W	RESISTOR	
	R201	CAR 1KΩ/4W	RESISTOR	
	R203	CAR 1KΩ/4W	RESISTOR	
	R204	CAR 10KΩ/4W	RESISTOR	
	R205	CAR 47KΩ/4W	RESISTOR	
	R206	CAR 10.2KΩ/4W±1%	RESISTOR	
	R207	CAR 1KΩ/4W	RESISTOR	
	R208	CAR 56KΩ/4W	RESISTOR	
	R209	CAR 68KΩ/4W	RESISTOR	
	R21	CAR 4.7KΩ/4W	RESISTOR	

Electrical parts list (MAIN PCB)

!	Item	Parts number	Parts name	Remarks
	R210	CAR 56KΩ1/4W	RESISTOR	
	R211	CAR 1KΩ1/4W	RESISTOR	
	R212	CAR 10KΩ1/4W	RESISTOR	
	R213	CAR 10KΩ1/4W	RESISTOR	
	R214	CAR 22KΩ1/4W	RESISTOR	
	R215	CAR 1KΩ1/4W	RESISTOR	
	R22	CAR 1.2KΩ1/4W	RESISTOR	
	R23	CAR 51KΩ1/4W	RESISTOR	
	R24	CAR 1.2KΩ1/4W	RESISTOR	
	R25	CAR 10KΩ1/4W	RESISTOR	
	R250	CAR 5.6KΩ1/4W	RESISTOR	
	R251	CAR 22KΩ1/4W	RESISTOR	
	R252	CAR 1KΩ1/4W	RESISTOR	
	R253	CAR 7.5KΩ1/4W	RESISTOR	
	R254	CAR 7.5KΩ1/4W	RESISTOR	
	R255	CAR 1KΩ1/4W	RESISTOR	
	R256	CAR 1KΩ1/4W	RESISTOR	
	R257	CAR 100Ω1/4W	RESISTOR	
	R258	CAR 100Ω1/4W	RESISTOR	
	R259	CAR 100Ω1/4W	RESISTOR	
	R26	CAR 220Ω1/4W	RESISTOR	
	R260	CAR 100Ω1/4W	RESISTOR	
	R261	CAR 1KΩ1/4W	RESISTOR	
	R262	CAR 15KΩ1/4W	RESISTOR	
	R263	CAR 560Ω1/4W	RESISTOR	
	R264	CAR 100Ω1/4W	RESISTOR	
	R265	CAR 4.7KΩ1/4W	RESISTOR	
	R266	CAR 1.8KΩ1/4W	RESISTOR	
	R267	CAR 100Ω1/4W	RESISTOR	
	R268	CAR 220Ω1/4W	RESISTOR	
	R27	CAR 220Ω1/4W	RESISTOR	
	R270	CAR 0.12Ω3W	RESISTOR	
	R271	CAR 0.12Ω3W	RESISTOR	
	R274	CAR 1.5KΩ1/4W	RESISTOR	
	R275	CAR 30KΩ1/4W	RESISTOR	
	R276	CAR 56KΩ1/4W	RESISTOR	
	R277	CAR 680Ω2W	RESISTOR	
	R278	CAR 4.7Ω1/2W	RESISTOR	
	R28	CAR 1KΩ1/4W	RESISTOR	
	R29	CAR 1KΩ1/4W	RESISTOR	
	R30	CAR 47Ω1/4W	RESISTOR	
	R301	CAR 1KΩ1/4W	RESISTOR	
	R303	CAR 1KΩ1/4W	RESISTOR	
	R304	CAR 10KΩ1/4W	RESISTOR	
	R305	CAR 56KΩ1/4W	RESISTOR	
	R306	CAR 10KΩ1/4W	RESISTOR	
	R307	CAR 1KΩ1/4W	RESISTOR	
	R308	CAR 56KΩ1/4W	RESISTOR	
	R309	CAR 68KΩ1/4W	RESISTOR	
	R31	CAR 47Ω1/4W	RESISTOR	
	R310	CAR 56KΩ1/4W	RESISTOR	
	R311	CAR 1KΩ1/4W	RESISTOR	
	R312	CAR 10KΩ1/4W	RESISTOR	
	R313	CAR 10KΩ1/4W	RESISTOR	
	R314	CAR 22KΩ1/4W	RESISTOR	
	R315	CAR 1KΩ1/4W	RESISTOR	

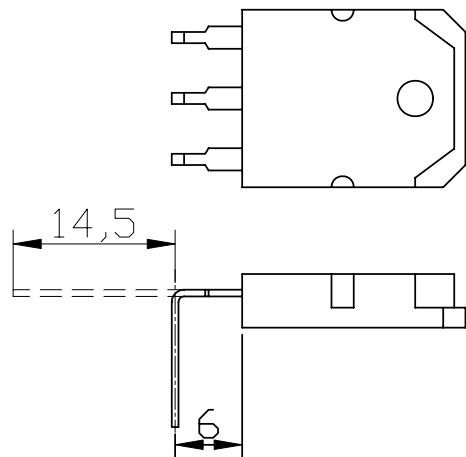
!	Item	Parts number	Parts name	Remarks
	R33	CAR 47Ω1/4W	RESISTOR	
	R350	CAR 5.6KΩ1/4W	RESISTOR	
	R351	CAR 22KΩ1/4W	RESISTOR	
	R352	CAR 1KΩ1/4W	RESISTOR	
	R353	CAR 7.5KΩ1/4W	RESISTOR	
	R354	CAR 7.5KΩ1/4W	RESISTOR	
	R355	CAR 1KΩ1/4W	RESISTOR	
	R356	CAR 1KΩ1/4W	RESISTOR	
	R357	CAR 100Ω1/4W	RESISTOR	
	R358	CAR 100Ω1/4W	RESISTOR	
	R359	CAR 100Ω1/4W	RESISTOR	
	R36	CAR 150Ω2W	RESISTOR	
	R360	CAR 100Ω1/4W	RESISTOR	
	R361	CAR 1KΩ1/4W	RESISTOR	
	R362	CAR 15KΩ1/4W	RESISTOR	
	R363	CAR 560Ω1/4W	RESISTOR	
	R364	CAR 100Ω1/4W	RESISTOR	
	R365	CAR 4.7KΩ1/4W	RESISTOR	
	R366	CAR 1.8KΩ1/4W	RESISTOR	
	R367	CAR 100Ω1/4W	RESISTOR	
	R368	CAR 220Ω1/4W	RESISTOR	
	R37	CAR 150Ω2W	RESISTOR	
	R370	CAR 0.12Ω3W	RESISTOR	
	R371	CAR 0.12Ω3W	RESISTOR	
	R374	CAR 1.5KΩ1/4W	RESISTOR	
	R375	CAR 30KΩ1/4W	RESISTOR	
	R376	CAR 56KΩ1/4W	RESISTOR	
	R377	CAR 680Ω2W	RESISTOR	
	R378	CAR 4.7Ω1/2W	RESISTOR	
	R39	CAR 10KΩ1/2W	RESISTOR	
	R40	CAR 10KΩ1/2W	RESISTOR	
	R401	CAR 1KΩ1/4W	RESISTOR	
	R403	CAR 1KΩ1/4W	RESISTOR	
	R404	CAR 10KΩ1/4W	RESISTOR	
	R405	CAR 47KΩ1/4W	RESISTOR	
	R406	CAR 10.2KΩ1/4W±1%	RESISTOR	
	R407	CAR 1KΩ1/4W	RESISTOR	
	R408	CAR 56KΩ1/4W	RESISTOR	
	R409	CAR 68KΩ1/4W	RESISTOR	
	R410	CAR 56KΩ1/4W	RESISTOR	
	R411	CAR 1KΩ1/4W	RESISTOR	
	R412	CAR 10KΩ1/4W	RESISTOR	
	R413	CAR 10KΩ1/4W	RESISTOR	
	R414	CAR 22KΩ1/4W	RESISTOR	
	R415	CAR 1KΩ1/4W	RESISTOR	
	R44	CAR 10KΩ1/4W	RESISTOR	
	R450	CAR 5.6KΩ1/4W	RESISTOR	
	R451	CAR 22KΩ1/4W	RESISTOR	
	R452	CAR 1KΩ1/4W	RESISTOR	
	R453	CAR 7.5KΩ1/4W	RESISTOR	
	R454	CAR 7.5KΩ1/4W	RESISTOR	
	R455	CAR 1KΩ1/4W	RESISTOR	
	R456	CAR 1KΩ1/4W	RESISTOR	
	R457	CAR 100Ω1/4W	RESISTOR	
	R458	CAR 100Ω1/4W	RESISTOR	
	R459	CAR 100Ω1/4W	RESISTOR	

Electrical parts list (MAIN PCB)

!	Item	Parts number	Parts name	Remarks
	R46	CAR 47Ω1/4W	RESISTOR	
	R460	CAR 100Ω1/4W	RESISTOR	
	R461	CAR 1KΩ1/4W	RESISTOR	
	R462	CAR 15KΩ1/4W	RESISTOR	
	R463	CAR 560Ω1/4W	RESISTOR	
	R464	CAR 100Ω1/4W	RESISTOR	
	R465	CAR 4.7KΩ1/4W	RESISTOR	
	R466	CAR 1.8KΩ1/4W	RESISTOR	
	R467	CAR 100Ω1/4W	RESISTOR	
	R468	CAR 220Ω1/4W	RESISTOR	
	R470	CAR 0.12Ω3W	RESISTOR	
	R471	CAR 0.12Ω3W	RESISTOR	
	R474	CAR 1.5KΩ1/4W	RESISTOR	
	R475	CAR 30KΩ1/4W	RESISTOR	
	R476	CAR 56KΩ1/4W	RESISTOR	
	R477	CAR 680Ω2W	RESISTOR	
	R478	CAR 4.7Ω1/2W	RESISTOR	
	R48	CAR 56KΩ1/4W	RESISTOR	
	RCA	AV4-8.4-13	RCA JACK	GOLD PLATED
	SPK01	JSZ4-02	SPEAKER OUT JACK	GOLD PLATED
	SPK02	JSZ4-02	SPEAKER OUT JACK	GOLD PLATED
	SW101	KD2304-02G9	CROSSOVER SWITCH	
	SW301	KD2304-02G9	CROSSOVER SWITCH	
	T01	9015C	TRANSISTOR	TO-92(E.B.C)
	T02	9015C	TRANSISTOR	TO-92(E.B.C)
	T03	9014C	TRANSISTOR	TO-92(E.B.C)
	T04	2N5401	TRANSISTOR	TO-92(E.B.C)
	T05	9014C	TRANSISTOR	TO-92(E.B.C)
	T06	9014C	TRANSISTOR	TO-92(E.B.C)
	T07	2SA1013	TRANSISTOR	TO-92L(E.C.B)
	T08	9014C	TRANSISTOR	TO-92(E.B.C)
	T09	9015C	TRANSISTOR	TO-92(E.B.C)
	T10	9015C	TRANSISTOR	TO-92(E.B.C)
	T11	FQP50N06	MOSFET	TO-220
	T13	FQP50N06	MOSFET	TO-220
	T14	FQP50N06	MOSFET	TO-220
	T151	2N5551	TRANSISTOR	TO-92(E.B.C)
	T152	2N5551	TRANSISTOR	TO-92(E.B.C)
	T153	2N5401	TRANSISTOR	TO-92(E.B.C)
	T154	2N5401	TRANSISTOR	TO-92(E.B.C)
	T155	2N5401	TRANSISTOR	TO-92(E.B.C)
	T156	2N5551	TRANSISTOR	TO-92(E.B.C)
	T157	2N5551	TRANSISTOR	TO-92(E.B.C)
	T158	2SC2383	TRANSISTOR	TO-92L(E.C.B)
	T159	2SA1013	TRANSISTOR	TO-92L(E.C.B)
	T16	FQP50N06	MOSFET	TO-220
	T162	KTD718	TRANSISTOR	TO-3P(B.C.E)
	T163	KT688	TRANSISTOR	TO-3P(B.C.E)
	T166	2N5551	TRANSISTOR	TO-92(E.B.C)
	T167	9014C	TRANSISTOR	TO-92(E.B.C)
	T22	9015C	TRANSISTOR	TO-92(E.B.C)
	T23	9014C	TRANSISTOR	TO-92(E.B.C)
	T251	2N5551	TRANSISTOR	TO-92(E.B.C)
	T252	2N5551	TRANSISTOR	TO-92(E.B.C)
	T253	2N5401	TRANSISTOR	TO-92(E.B.C)
	T254	2N5401	TRANSISTOR	TO-92(E.B.C)

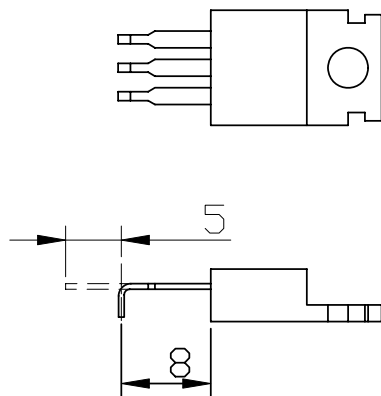
!	Item	Parts number	Parts name	Remarks
	T255	2N5401	TRANSISTOR	TO-92(E.B.C)
	T256	2N5551	TRANSISTOR	TO-92(E.B.C)
	T257	2N5551	TRANSISTOR	TO-92(E.B.C)
	T258	2SC2383	TRANSISTOR	TO-92L(E.C.B)
	T259	2SA1013	TRANSISTOR	TO-92L(E.C.B)
	T262	KTD718	TRANSISTOR	TO-3P(B.C.E)
	T263	KT688	TRANSISTOR	TO-3P(B.C.E)
	T266	2N5551	TRANSISTOR	TO-92(E.B.C)
	T267	9014C	TRANSISTOR	TO-92(E.B.C)
	T351	2N5551	TRANSISTOR	TO-92(E.B.C)
	T352	2N5551	TRANSISTOR	TO-92(E.B.C)
	T353	2N5401	TRANSISTOR	TO-92(E.B.C)
	T354	2N5401	TRANSISTOR	TO-92(E.B.C)
	T355	2N5401	TRANSISTOR	TO-92(E.B.C)
	T356	2N5551	TRANSISTOR	TO-92(E.B.C)
	T357	2N5551	TRANSISTOR	TO-92(E.B.C)
	T358	2SC2383	TRANSISTOR	TO-92L(E.C.B)
	T359	2SA1013	TRANSISTOR	TO-92L(E.C.B)
	T362	KTD718	TRANSISTOR	TO-3P(B.C.E)
	T363	KT688	TRANSISTOR	TO-3P(B.C.E)
	T366	2N5551	TRANSISTOR	TO-92(E.B.C)
	T367	9014C	TRANSISTOR	TO-92(E.B.C)
	T451	2N5551	TRANSISTOR	TO-92(E.B.C)
	T452	2N5551	TRANSISTOR	TO-92(E.B.C)
	T453	2N5401	TRANSISTOR	TO-92(E.B.C)
	T454	2N5401	TRANSISTOR	TO-92(E.B.C)
	T455	2N5401	TRANSISTOR	TO-92(E.B.C)
	T456	2N5551	TRANSISTOR	TO-92(E.B.C)
	T457	2N5551	TRANSISTOR	TO-92(E.B.C)
	T458	2SC2383	TRANSISTOR	TO-92L(E.C.B)
	T459	2SA1013	TRANSISTOR	TO-92L(E.C.B)
	T462	KTD718	TRANSISTOR	TO-3P(B.C.E)
	T463	KT688	TRANSISTOR	TO-3P(B.C.E)
	T466	2N5551	TRANSISTOR	TO-92(E.B.C)
	T467	9014C	TRANSISTOR	TO-92(E.B.C)
	TH01	50KTH	NTC RESISTOR	
	TR01	37PHI	TRANSFORMER	362315-40554
	VR101	F-16KG B20K L10REA(M)	RHEOSTAT	90°
	VR102	F-16KG B500K L10REA(M)	RHEOSTAT	90°
	VR103	F-16KJ3 C100K L10REA(M)	RHEOSTAT	90°
	VR301	F-16KG B20K L10REA(M)	RHEOSTAT	90°
	VR302	F-16KG B500K L10REA(M)	RHEOSTAT	90°
	VR303	F-16KJ3 C100K L10REA(M)	RHEOSTAT	90°
	Z1	1N4744	DIODE	15V/1W
	Z2	1N4744	DIODE	15V/1W

T0-3PN



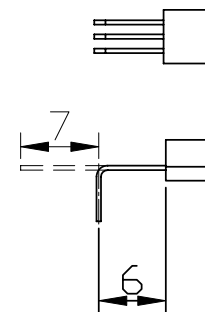
Remark:ensure 6mm.

T0-220



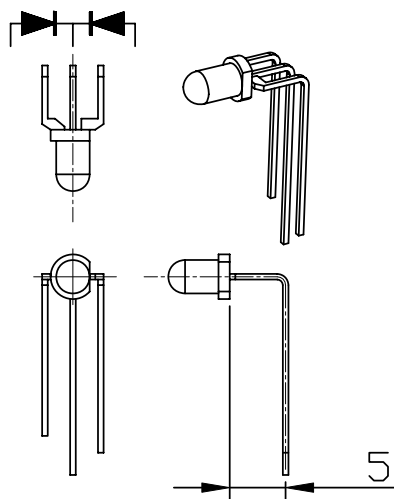
Remark:ensure 8mm.

T0-92

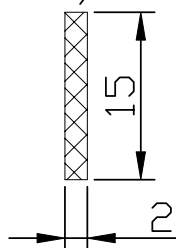


Remark:ensure 6mm.

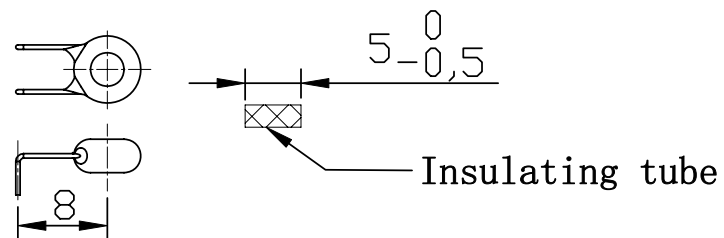
LED



Insulating tube



50KTH



name	Indication of part pins shaped	fig.

Car audio amplifier capability request

Client Name: AKAI

Serial Number : _____

Model Name: ACA-2624

Accomplished Q'ty: _____

PO. Number: _____

Accomplished Date: _____

NO	Item	Condition	Unit	Capability request	Sample1 : _____			
1	Gain-frequency response	Work normally	Front L/R	dB	+1/- 3 (10Hz~20kHz)	CH1: +1/-3	CH2: +1/-3	
			Rear L/R		+1/- 3 (10Hz~20kHz)	CH3: +1/-3	CH4: +1/-3	
2	Total harmonic distortion and noise	Work normally 10W,4Ω	Front L/R	%	≤0.7%	CH1: < 0.07	CH2: < 0.04	
			Rear L/R			CH3: < 0.04	CH4: < 0.05	
3	Normal Output power(4Ω)	Rated Distortion: 0.7%	Front L/R	W	Product specification	CH1: ≥ 47.38	CH2: ≥ 47.71	
			Rear L/R			CH3: ≥ 44.52	CH4: ≥ 44.26	
		Rated Distortion: 10%	Front L/R			CH1: ≥ 66.80	CH2: ≥ 65.47	
			Rear L/R			CH3: ≥ 65.52	CH4: ≥ 65.46	
		Max. output power	Front L/R			CH1: ≥ 89.45	CH2: ≥ 88.03	
			Rear L/R			CH3: ≥ 89.00	CH4: ≥ 89.54	
	Normal Output power(2Ω)	Rated Distortion: 0.7%	Front L/R	W	Product specification	CH1: ≥ 31.20	CH2: ≥ 32.98	
			Rear L/R			CH3: ≥ 34.98	CH4: ≥ 35.78	
		Rated Distortion: 10%	Front L/R			CH1: ≥ 69.84	CH2: ≥ 65.87	
			Rear L/R			CH3: ≥ 66.01	CH4: ≥ 68.47	
		Max. output power	Front L/R			CH1: ≥ 106.95	CH2: ≥ 95.48	
			Rear L/R			CH3: ≥ 97.72	CH4: ≥ 101.65	
4	BTL Output power	Rated Distortion: 0.7%	Front	W	Product specification	CH1&CH2: ≥ 65.73 W/4Ω;	W/2Ω	
			Rear			CH3&CH4: ≥ 70.50 W/4Ω;	W/2Ω	
		Rated Distortion: 10%	Front			CH1&CH2: ≥ 140.63 W/4Ω;	W/2Ω	
			Rear			CH3&CH4: ≥ 137.15 W/4Ω;	W/2Ω	
		Max. output power	Front			CH1&CH2: ≥ 203.45 W/4Ω;	W/2Ω	
			Rear			CH3&CH4: ≥ 196.28 W/4Ω;	W/2Ω	
5	Signal noise ratio (Input Terminal Short)	Rated 1kHz Distortion: 10%	Front L/R	dB	≥71 Full range	≥76 A-Weighting	CH1: ≥ 92.2/95.3	CH2: ≥ 95.0/97.4
			Rear L/R				CH3: ≥ 92.1/94.4	CH4: ≥ 94.9/96.8
	Signal noise ratio (Input Terminal Open)	Rated 1kHz Distortion: 10%	Front L/R	dB	≥71 Full range	≥76 A-Weighting	CH1: ≥ 94.3/98.6	CH2: ≥ 93.4/96.9
			Rear L/R				CH3: ≥ 95.0/98.1	CH4: ≥ 94.1/96.3
	output noise	No signal input (Input Terminal Open)	Front L/R	mV	≤3	2.0/2.0		
Rear L/R			2.0/2.0					
6	Separation	Work normally Distortion:0.7%	1 kHz	dB	≥ 40	CH1 & CH2: ≥ 46/46	CH3 & CH4: ≥ 46/48	
			10 kHz		≥ 30	CH1 & CH2: ≥ 39/41	CH3 & CH4: ≥ 44/42	
7	Be sensitive to input	Volume max Distortion:10%	High input	mV	Product specification	---		
			Low input			170		

Car audio amplifier capability request

Client Name: AKAI

Serial Number : _____

Model Name: ACA-2624

Accomplished Q'ty: _____

PO. Number: _____

Accomplished Date: _____

NO	Item	Condition	Unit	Capability request	Sample1 : _____			
8	On-off power part testing	Work normally	Frequency	kHz	Product specification	37.02		
		No signal input	Power supply voltage			V	Amplifier: ±25.95	Preamp: +/- 16
		THD10% 2Ω					Amplifier: ±23.12	Preamp: +/- 15
		THD10% 4Ω					Amplifier: ±23.75	Preamp: +/- 16
9	Phase between channels	Work normally	---	In-phase	Output in-phase CH1&CH2 contra-phase / CH3&CH4 contra-phase			
10	Gain difference between channels	Volume output (max~max decrease 46dB)	dB	≤ 3	≤ 1.5			
11	Stability	Rated	---	Not self-excitation and parasitism	OK			
12	Bass boost range	1/2f	23 Hz	dB	Product specification	CH1 & CH2: ≥ + 8	CH3 & CH4: ≥ +8	
		f	45 Hz			CH1 & CH2: ≥ + 12	CH3 & CH4: ≥ +12	
		2f	90 Hz			CH1 & CH2: ≥ + 8	CH3 & CH4: ≥ + 8	
13	Low-Pass crossover (Min.)	1/2f	15 Hz	dB	Product specification	CH1 & CH2: - 0.5	CH3 & CH4: -0.5	
		f	30 Hz			CH1 & CH2: - 3	CH3 & CH4: - 3	
		2f	60 Hz			CH1 & CH2: - 8	CH3 & CH4: - 8	
	Low-Pass crossover (Max.)	1/2f	100 Hz	dB	Product specification	CH1 & CH2: - 0.5	CH3 & CH4: -0.5	
		f	200 Hz			CH1 & CH2: - 3	CH3 & CH4: - 3	
		2f	400 Hz			CH1 & CH2: - 12	CH3 & CH4: -12	
14	High-Pass crossover (Min.)	1/2f	17 Hz	dB	Product specification	CH1 & CH2: - 16	CH3 & CH4: -16	
		f	35 Hz			CH1 & CH2: - 3	CH3 & CH4: - 3	
		2f	70 Hz			CH1 & CH2: + 1	CH3 & CH4: + 1	
	High-Pass crossover (Max.)	1/2f	2.25 KHz	dB	Product specification	CH1 & CH2: - 7	CH3 & CH4: - 7	
		f	4.5 KHz			CH1 & CH2: - 3	CH3 & CH4: - 3	
		2f	9 KHz			CH1 & CH2: - 1	CH3 & CH4: - 1	
15	Power supply	(Rated) Distortion: 10%	W	Product specification	/			
		Static			/			
16	Function testing	Power on delay		Product specification	3s			
		Remote Switch			OK			
		Short circuit Protection			OK			
		DC offset Protection			OK			
		no sound on/off			OK			
		caraudio on/off			OK			
		Amplifier on/off			OK			
		Temperature testing			1/3 Max. Power 4hours testing		OK	
17	terminal short-circuit testing	[Heat sink] with [power supply (+/-) terminal]、 [speaker (+/-) terminal]、 [VR crust] 、 [RCA terminal]		No noise or spark	OK			
		[power supply (+) terminal] with [speaker (+/-) terminal]、 [VR crust] 、 [RCA terminal]			OK			
		[power supply (-) terminal] with [speaker (+/-) terminal]、 [VR crust] 、 [RCA terminal]			OK			

Note:
Power supply voltage: 14.0V

Operated by: Xiaoyulin

Approved by: Zhaozhigang

Date: 2006/03/01



AKAI
